

Suggested maximum 4 in. w.g. differential pressure

**Standard Construction and Materials**

**FRAME:** 16 GA. stainless steel, 7½" deep.

**BLADE:** 16 GA. stainless steel, reinforced for frames over 18" dia.

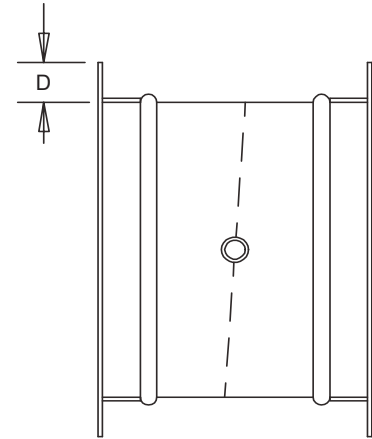
**SHAFT:** ½" dia. stainless steel.

**BEARINGS:** Flange Oilite Bronze.

**SEALS:** On frame, ¼" thick closed cell neoprene.  
Temperature range is -35°F to 180°F.

**CONTROL ROD:** Cadmium plated steel.

**FINISH:** Mill.



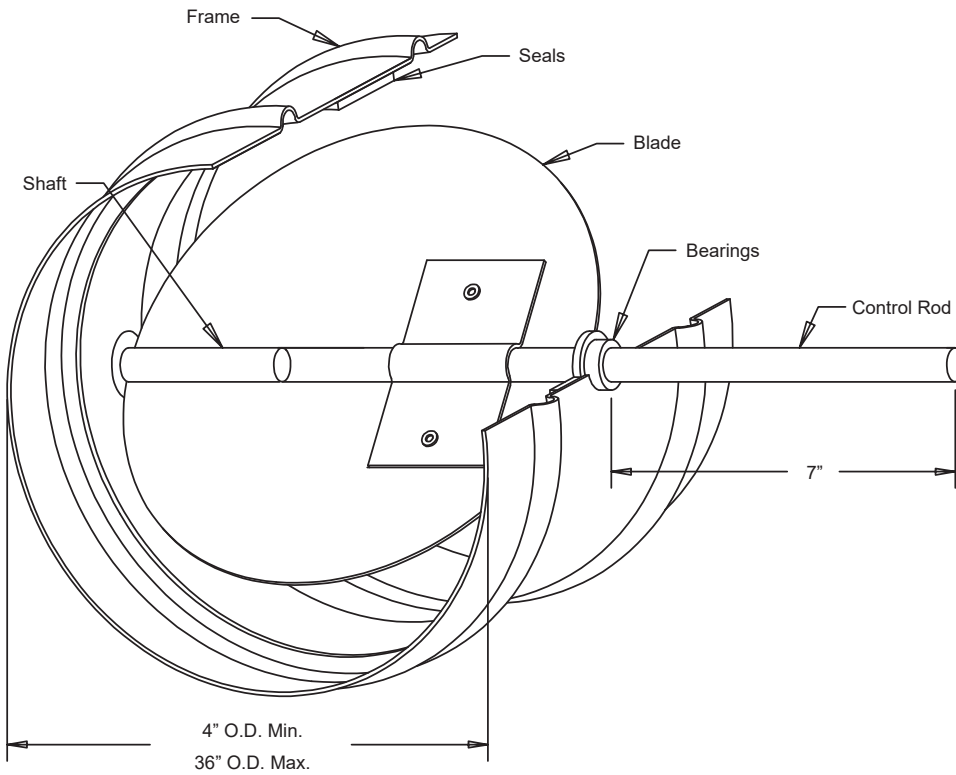
Equal Leg Angles are available. They are welded to frames at intermittent spacing and caulked between welds. Flange Height "D" varies with Damper Diameter.

**Notes**

1. Dampers are available in 1" increments only.
2. Please contact the factory for damper sizes larger than 36" diameter.
3. To calculate approximate shipping weight (lbs./in.), use following formula:  
Damper Circumference (Diameter [in.] × 3.141) × 0.5

**Damper Sizes**

Minimum Size	Maximum Size
4" O.D.	36" O.D.



Please inquire for larger sizes.

					 Union Made	
Item #	Qty	Damper Size O.D.	Tagging			
Arch. / Eng.:			EDR:	ECN:	Job:	
Contractor:						
Project:			Date:	DWN:	DWG:	

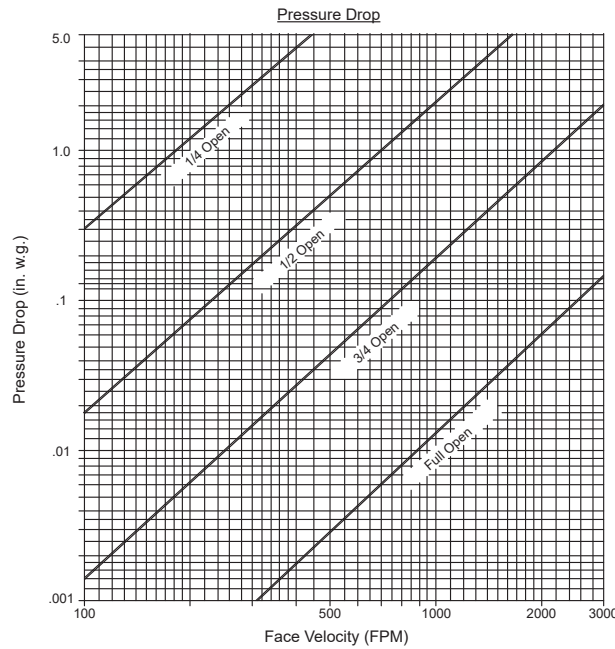
In the interest of product development, Cesco Products reserves the right to make changes without notice.



450 Riverside Dr • Wyalusing PA, 18853  
 Phone: 570-746-1888 • Fax: 570-746-9286  
 www.cescoproducts.com

**Pressure Drop Data**

Pressure Drop Ratings are based on AMCA Standard 500 using test set-up 5.3 for Dampers installed with Duct Upstream and Downstream. Static Pressures are corrected to 0.075 lb./cu.ft. air density.



**Air Leakage Data**

Air Leakage Ratings are based on AMCA Standard 500 using test set-up 5.4. Air Leakage is corrected to 0.075 lb./cu.ft. air density.

